

TRANSDUCERS

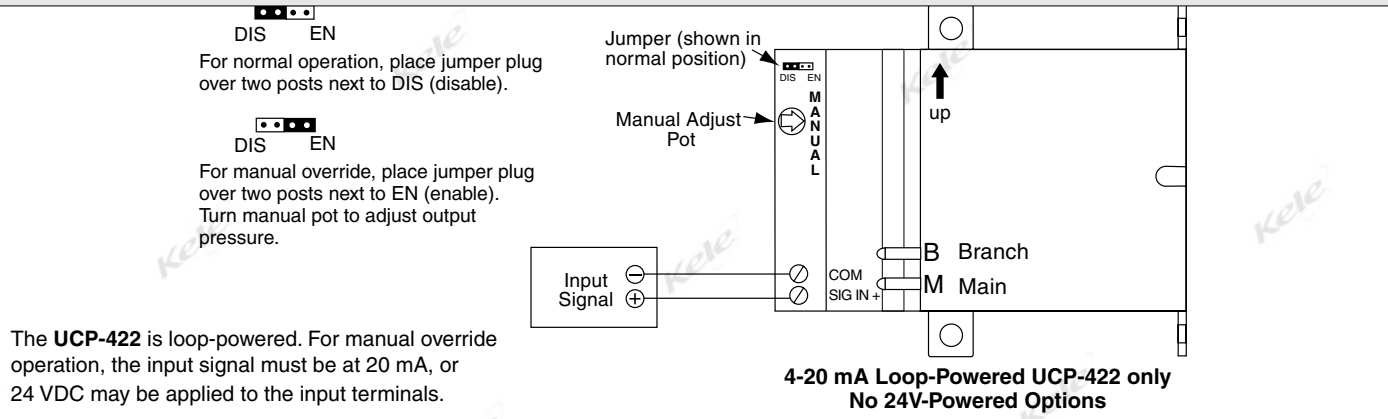
UCP-422 SERIES M OPTION



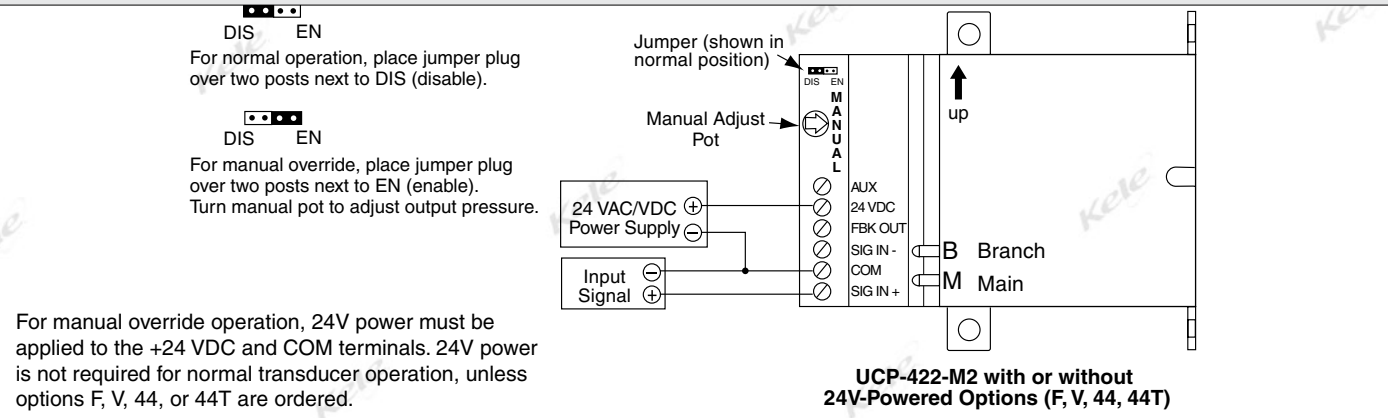
DESCRIPTION

The **M Option Manual Output Adjust** allows local adjustment of the UCP-422 output. This feature simplifies checkout and troubleshooting and is available in both loop-powered and 24V-powered configurations. The 24V-powered configuration is provided standard when the **M Option** is ordered with the **(F) Feedback, (V) Voltage, (44) Pulse Width, or (44T) Tri-state** options for the UCP-422.

UCP-422-M LOOP-POWERED MANUAL ADJUST



UCP-422-M2 24V-POWERED MANUAL ADJUST



TRANSDUCERS

22

ORDERING INFORMATION

MODEL	DESCRIPTION
UCP-422-M	Electronic/Pneumatic transducer with loop-powered manual output adjust option
UCP-422-M2	Electronic/Pneumatic transducer with 24V-powered manual output adjust option